



AeroPlus



*Better access,
Better design*



FORMENTI &
GIOVENZANA



Technical specifications:

- Upwards operation
- Symmetrical mechanism for a smart assembly
- Adjustable for doors up to 20kg weight
- Perfect stay in every position
- 32mm standard cabinet drilling
- Combined with SlowMotion hinges, it confers a perfect movement to the door

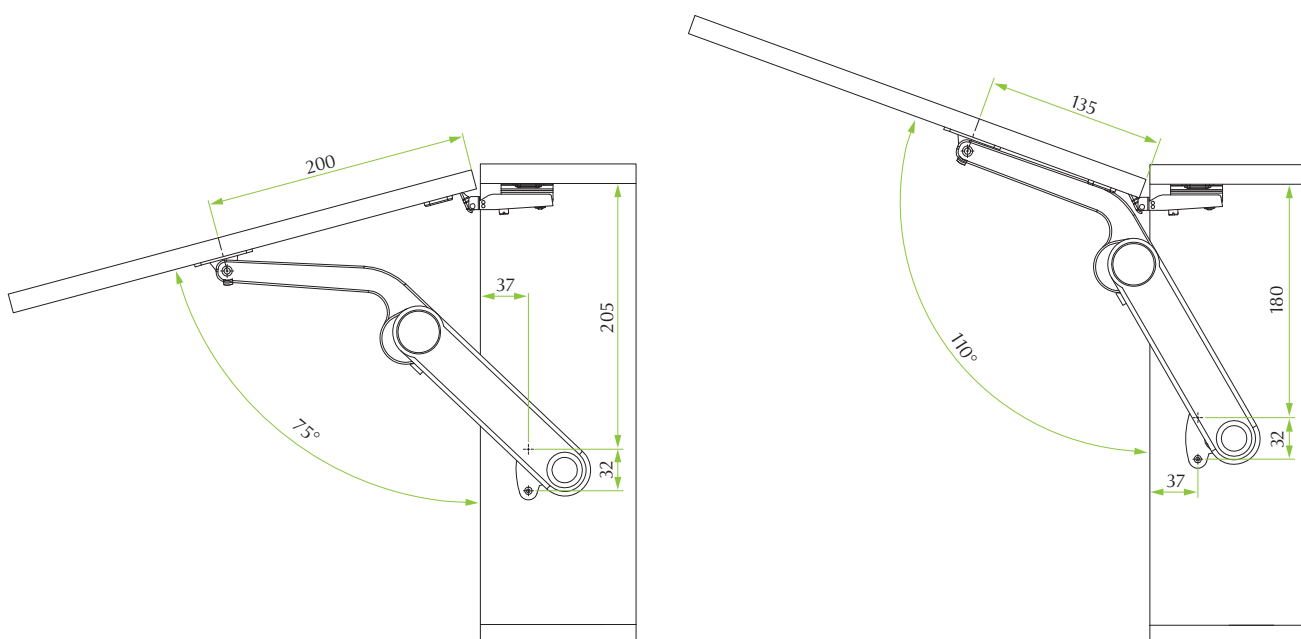
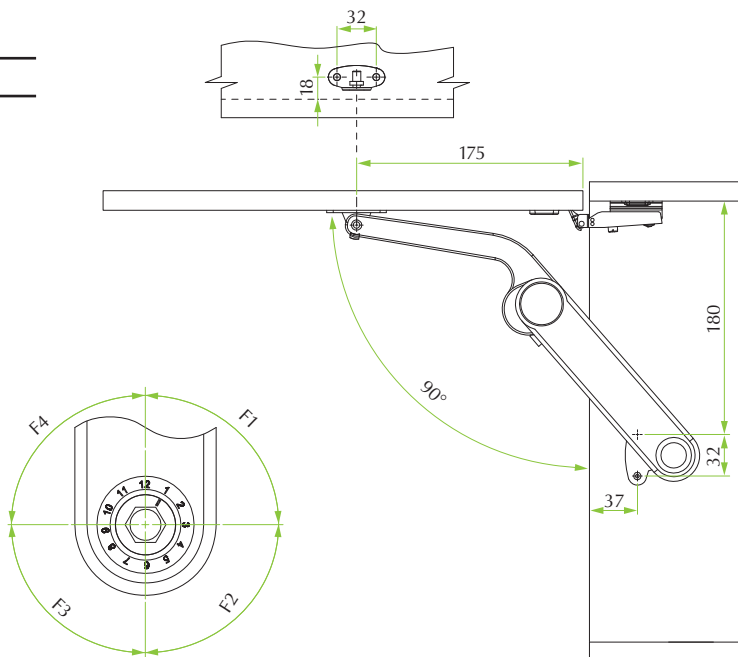
Code	Description	Packing
59.0VPL05.00.00000	Kit AeroPlus	15 kits

Packed in a kit, consists of:

- 1 joint AeroPlus
- 1 cover cap
- 1 bracket for cabinet
- 1 bracket for wooden door
- 4 selftapping screws Ø4x16 mm
- 1 SW10 key
- Assembly instructions

Door weight adjustment (kg)

Door height	Door weight adjustment (kg)			
	F1	F2	F3	F4
300	1-2-3	4-5-6	7-8-9	10-11-12
300	3~5	5~10	9~15,5	11~20
400	2~4	3,5~7,5	6,5~11,5	8,5~15
500	1,5~3	3~6	5,5~9,5	7~12
600	1,5~2,5	2,5~5	4,5~7,5	6~10



Values given in mm



FORMENTI & GIOVENZANA S.p.A.

Via Concordia, 16
 20837 Veduggio con Colzano (MB) - ITALY
 Tel. +39 0362 947.1 r.a. - Fax +39 0362 998788
 info@fgv.it - www.fgv.it