



- *Retrofit add-on damper for hinges*
- *Compatible with Optima Click and Slide-On 175° angle hinges*
- *All metal solution for quality feel*

SlowMotion Delta



SlowMotion Delta is a clever damping solution available for the Optima Click and MS Slide-On 175° angle hinge.

It is fixed securely on the main lever of the hinge, remaining independent from the hinge arm, and it can easily be removed.

It is powered by a hydraulic piston with a simple and efficient effect. It is quick to fix in the production line and a perfect retro-fit solution in flat pack and DIY environment.

SlowMotion Delta 175°



Technical specifications:

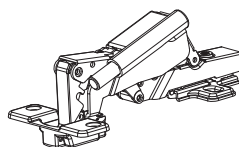
- Controlled closing
- Perfect and silent function
- Solution for angles 175°
- Compatible with Optima and Slide-On hinges

SLOWMOTION DELTA 175° DAMPER



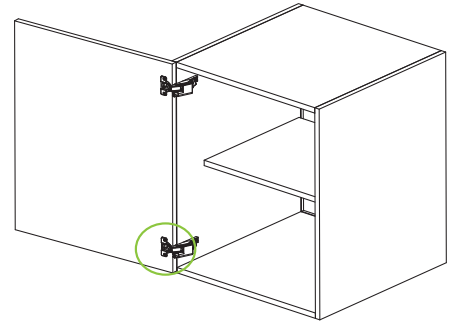
<u>Code</u>	<u>Description</u>	<u>Packing</u>
59.550D.M50W00000	SlowMotion Delta 175°	250 pieces

Application:

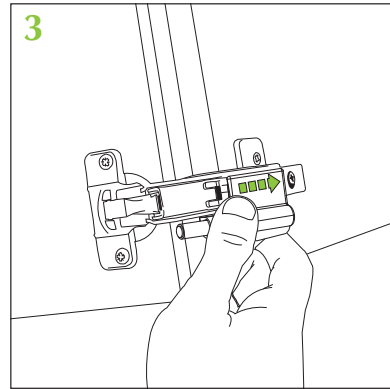
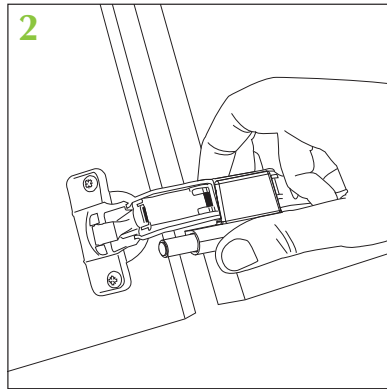
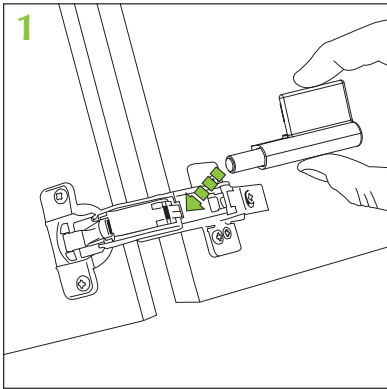


Ideal assembly:

The SlowMotion Delta 175° damper must be preferably fitted on the bottom hinge.



Assembly:



To slide totally the SlowMotion Delta 175° damper onto the arm of the hinge, close and open the door one time.

Table to determinate the number of the add-on needed according to the dimension and the weight of the door.

Door dimensions			Door weight	Number of hinges	
Width	Height	Thickness		SlowMotion Delta 175°	Standard
450	600	18	3.0 kg	1	1
350	700	18	3.1 kg	1	1
400	700	18	3.6 kg	1	1
450	700	18	4.1 kg	1	1
500	700	18	4.5 kg	1	1
600	700	18	5.4 kg	1	1
400	1200	18	6.2 kg	1-2	1-2
450	1200	18	7.2 kg	1-2	1-2
500	1200	18	7.8 kg	1-2	1-2
600	1200	18	9.3 kg	2	1
400	2100	18	10.9 kg	2	2
450	2100	18	12.3 kg	2	2
600	2100	18	17.0 kg	3	1